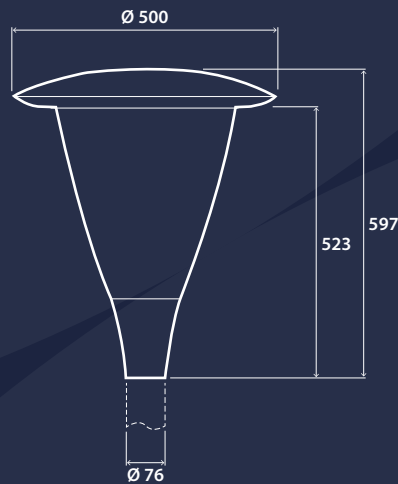




# Juno A

LED pole top amenity  
luminaires

- Integral high efficiency driver
- Extremely efficient and long system life up to 100,000 hours
- Fits 76mm columns as standard (60mm to special order)
- Photocell option



## Ordering

LED Power	CAT. No.	Lighting Control System
31W	JUN17672	L/LPC
52W	JUN17673	L/LPC

Lighting Control System - suffix catalogue number with L Non-dimming/LPC Photocell (non-dimming)  
E.g. JUN17672LPC = 31W / Photocell (non-dimming)

# Juno A

## LED pole top amenity luminaires

ratio

### Columns

Product Code	Description	Weight
FC4	4 m - Standard duty column - 76 mm shaft diameter	33 kg
FC5	5 m - Standard duty column - 76 mm shaft diameter	40 kg
FC6	6 m - Standard duty column - 76 mm shaft diameter	44 kg

### Technical Specification

#### Specification

Mounting	Column	IP rating	IP66
Impact rating	IK10	Windage rating	0.14 m <sup>2</sup>

#### Lighting

Optic	Clear cover	Lumen output	4,320 lm - 6,825 lm
Efficacy	Up to 120 LL/CW		

#### Power

LED power	31 W - 52 W	Circuit power	36 W - 61 W
-----------	-------------	---------------	-------------

#### Construction

Housing	Strong high pressure die-cast aluminium top and column mount	Finish	Full polyester powder coat
Body colour	Silver (RAL 9006)	Optical assembly	High impact UV stabilised polycarbonate cover rated IK10

#### LED Characteristics

CRI	70+	Colour temperature	4000 K
Rated life (hours)	100 K - L90/B10	LED protection	-
Driver efficiency	>85%	Replaceable light source	Yes
Power factor	>0.9	MacAdam ellipse	5 Step

#### Compliance

UKCA	Yes	CE	Yes
Energy efficiency class	This product contains a light source of energy efficiency class D		