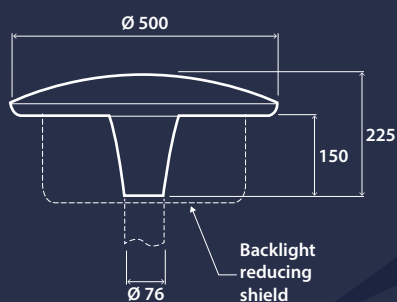


# Juno B

High performance LED  
pole top luminaires



- Integral high efficiency driver
- Extremely efficient and long system life up to 100,000 hours
- Fits 76mm columns as standard (60mm to special order)
- Photocell option
- Zero upward light



## Ordering

LED Power	Symmetric Distribution	Asymmetric Distribution	Lighting Control System
37 W	JUN19200	JUN19202	L/LPC
78 W	JUN19201	JUN19203	L/LPC
101 W	JUN19658	JUN19659	L/LPC

Lighting Control System - suffix catalogue number with L Non-dimming/LPC Photocell (non-dimming)

E.g. JUN19200LPC = 37W / Symmetric Distribution / Photocell (non-dimming)

### Mounting Accessories

Product Code	Description	Weight
POT101-76	Column adaptor - 101-76 mm - To fit on to 101 mm dia.	-

### Accessories

Product Code	Description	Weight
JUN19204	Backlight reducing shield kit	-

# Juno B

## High performance LED pole top luminaires

ratio

### Technical Specification

Specification			
Mounting	Column	IP rating	IP66
Impact rating	IK10	Windage rating	0.04 m <sup>2</sup>

Lighting			
Optic	Clear cover	Distribution	Asymmetric Symmetric
Lumen output	5,380 lm - 13,560 lm	Efficacy	Up to 136.3 LL/CW
External upward light	Zero upward light		

Power			
LED power	37 W - 101 W	Circuit power	42 W - 110 W

Construction			
Housing	Strong high pressure die-cast aluminium top and column mount	Finish	Full polyester powder coat
Body colour	Silver (RAL 9006)	Optical assembly	High impact UV stabilised polycarbonate cover rated IK10
Gasket	Long life silicone gasket		

LED Characteristics			
CRI	70+	Colour temperature	4000 K
Rated life (hours)	100 K - L80/B10	LED protection	LUX Guard
Driver efficiency	>93%	Replaceable light source	Yes
Power factor	>0.95	MacAdam ellipse	5 Step

Compliance			
UKCA	Yes	CE	Yes
Energy efficiency class	This product contains a light source of energy efficiency class B		