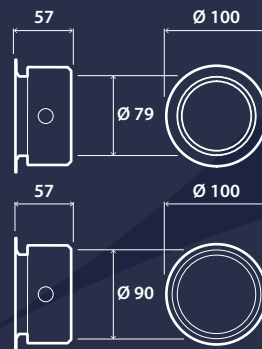
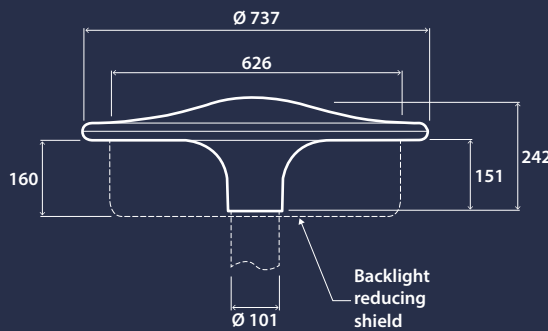


# Juno D

High performance LED  
pole top luminaires

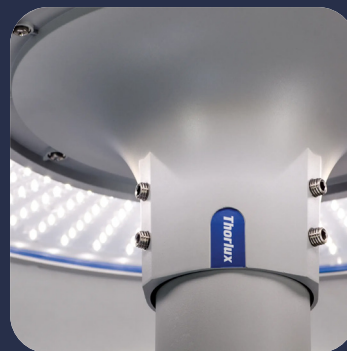


- Strong high-pressure die-cast aluminium top and column mount
- High-impact UV stabilised polycarbonate cover
- Smooth wipe clean surfaces, no dust traps
- Integral high efficiency drivers
- Extremely efficient and long system life up to 100,000 hours
- Fits 101mm columns as standard
- Photocell option
- Zero upward light



101-76mm Reducer  
- JUN 18638  
To suit 76mm column

101-89mm Reducer  
- JUN 18639  
To suit 89mm column



## Ordering

LED Power	Asymmetric Distribution	LED Power	Symmetric Distribution	Lighting Control System
99 W	JUN18634	177 W	JUN18631	L/LPC
132 W	JUN18635	246 W	JUN18632	L/LPC
166 W	JUN18636	326 W	JUN18633	L/LPC

Lighting Control System - suffix catalogue number with L Non-dimming/LPC Photocell (non-dimming)  
E.g. JUN18634LPC = 99W / Asymmetric Distribution / Photocell (non-dimming)

# Juno D

## High performance LED pole top luminaires

ratio

### Mounting Accessories

Product Code	Description	Weight
JUN18638	101 mm to 76 mm reducer	-
JUN18639	101 mm to 89 mm reducer	-

### Accessories

Product Code	Description	Weight
JUN18637	Backlight reducing shield kit	-

## Technical Specification

### Specification

Mounting	Column	IP rating	IP66
Impact rating	IK10	Windage rating	0.06 m <sup>2</sup>

### Lighting

Optic	Clear cover	Distribution	Asymmetric Symmetric
Lumen output	13,880 lm - 47,575 lm	Efficacy	Up to 141.2 LL/CW
External upward light	Zero upward light		

### Power

LED power	99 W - 326 W	Circuit power	108 W - 350 W
-----------	--------------	---------------	---------------

### Construction

Housing	Strong high pressure die-cast aluminium top and column mount	Finish	Full polyester powder coat
Body colour	Silver (RAL 9006)	Optical assembly	Acrylic high efficiency LED lenses with a high impact UV stabilised polycarbonate cover
Gasket	Long life silicone gasket		

### LED Characteristics

CRI	70+	Colour temperature	4000 K
Rated life (hours)	100 K - L80/B10	LED protection	LUX Guard
Driver efficiency	>90%	Replaceable light source	Yes
Power factor	>0.9	MacAdam ellipse	5 Step

### Compliance

UKCA	Yes	CE	Yes
Energy efficiency class	This product contains a light source of energy efficiency class B		