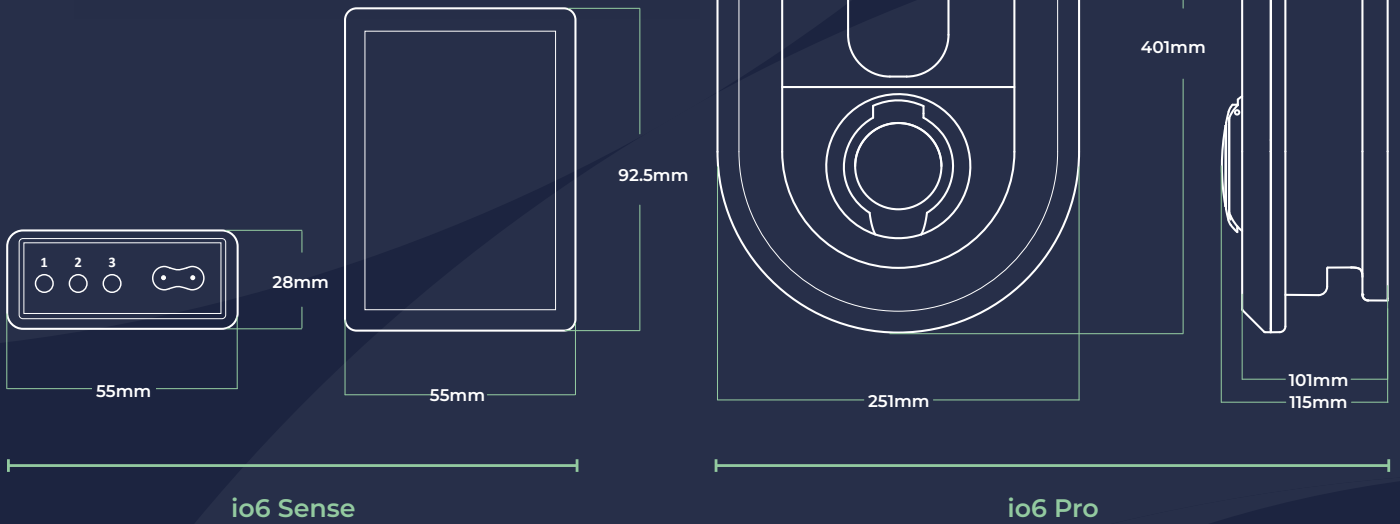




io6 Pro



# DATA SHEET

Product Code	Description	Phase	Socket	Cable	Power	Connectivity	Energy Meter
38710	io6 Pro Charger	Single	Type 2	-	7.4kW	4G enabled	MID
38712	io6 Pro Charger	Single	Type 2	7.5m straight	7.4kW	4G enabled	MID
38700	io6 Pro Charger	Three	Type 2	-	22kW	4G enabled	MID
38702	io6 Pro Charger	Three	Type 2	7.5m straight	22kW	4G enabled	MID

### Dimensions and Specifications

Charging System	IEC 61851 Mode 3
Power Input	Single phase / three phase, 230 /400v, 32A
Power Output	7.4kW or 22kW
Protections	Integral 6mA RDC-DD as per IEC 62955
Pen Fault Detection	Open PEN fault protection on single and three phase
Dimensions and Specifications	400mm x 250mm x 105mm
Weight	4kg
Impact Rating	IK08
Enclosure Rating	IP54
Operating Temp.	-25C to +40C
Connectivity	Ethernet, Wi-Fi and 4G sim card and 36 months data supplied as standard
OCCP	OCCP 1.6J compliant
Marking	UKCA

### Design Features

Housing	PC/ABS-VO
Options	Single phase 7.4kW to three phase 22kW options
Energy Meter	Built in certified MID meter
Applications	Suitable for domestic, business, commercial and fleet
Variants	Socketed or 7.5m cable options available
Power Sharing*	Connect up to 32 chargers on one mains connection. Available power will be distributed evenly to connected EVs. Supports static and dynamic load management.
Solar Charging*	Prioritises your power consumption by utilising solar energy when available
Safety Feature	Locking mechanism to prevent disconnection of cable under load
Commissioning	Full configuration of the charger via Bluetooth using the Ratio app, with settings stored in the Ratio cloud
Multi User	Multi charger, Multi EV. Manage access and session for all users, chargers and EVs
Ratio App	Provides full control and visibility over your charging sessions (Android And iOS). Allows user to schedule charging to make use of cheaper tariffs

### Compliance

Standards	LVD 2014/35/EU, EMCD 2014/30/EU, BS EN61851-2019, EN61000-2, EN61000-3, CE Certified, BS7671-2018
GDPR	Your privacy ad sensitive data is handled with care and in compliance with GDPR

\*Dynamic Load Management and Solar Charging requires Sense Box